

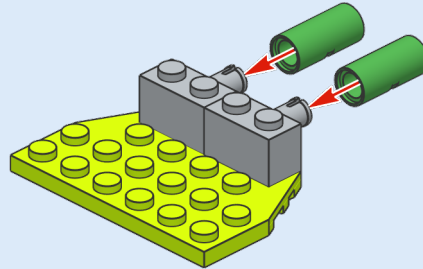
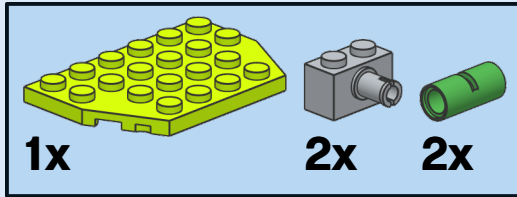
Steering Race Car

Daniele Benedettelli - 2018

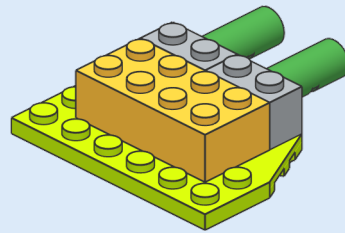
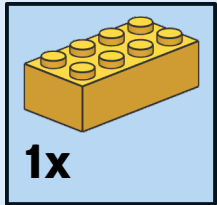
Build it with the
WeDo 2.0 set #45300



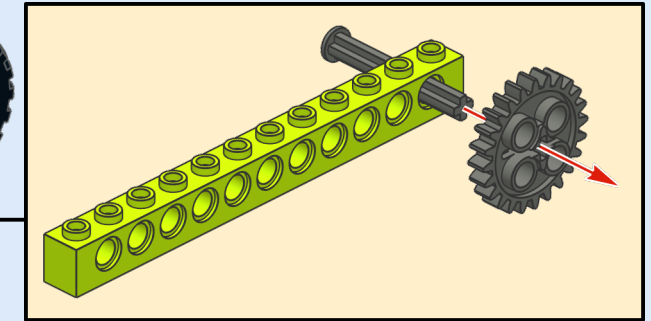
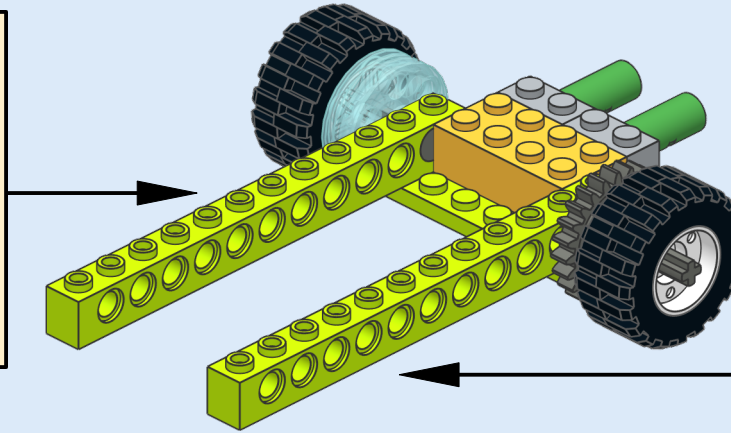
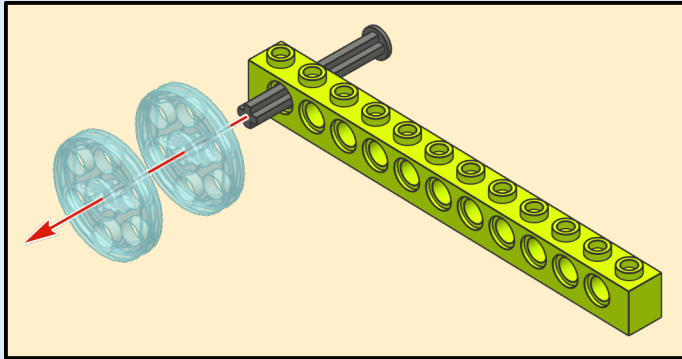
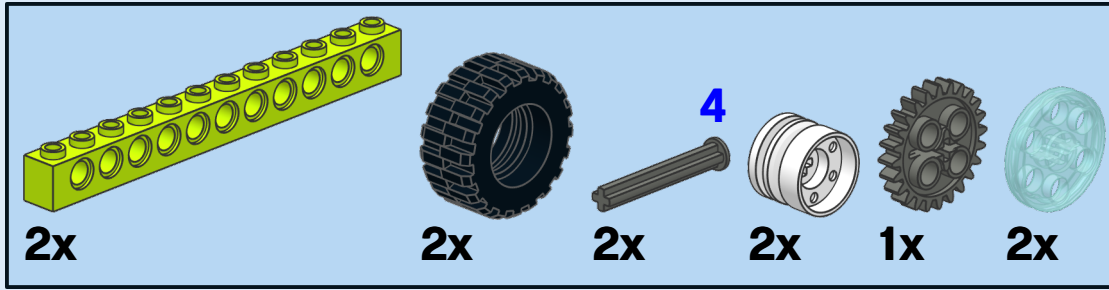
1



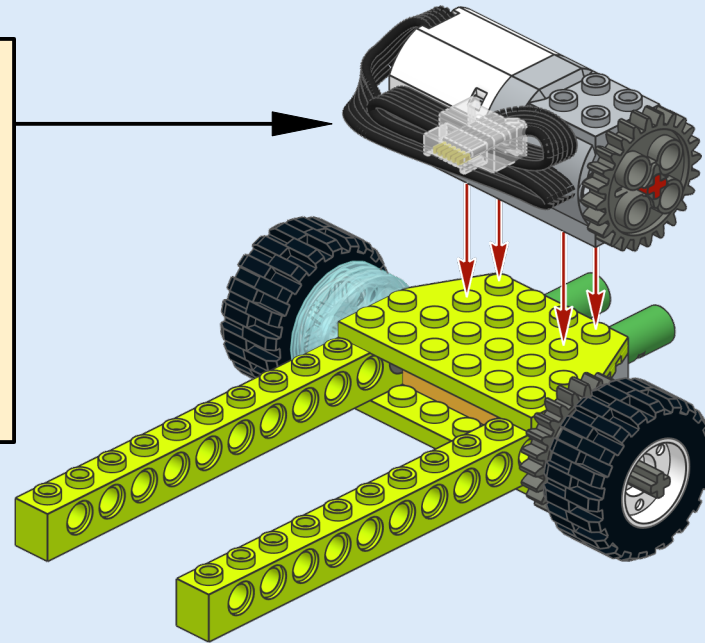
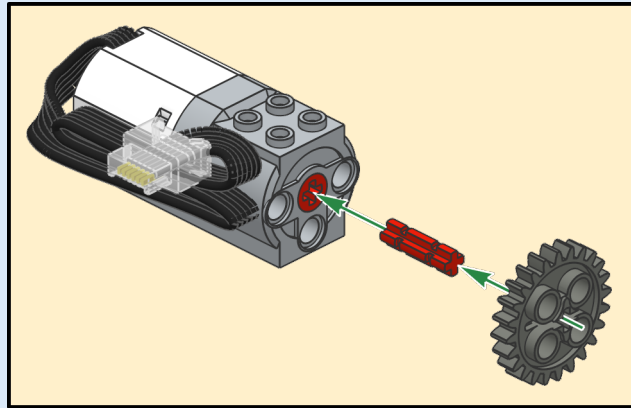
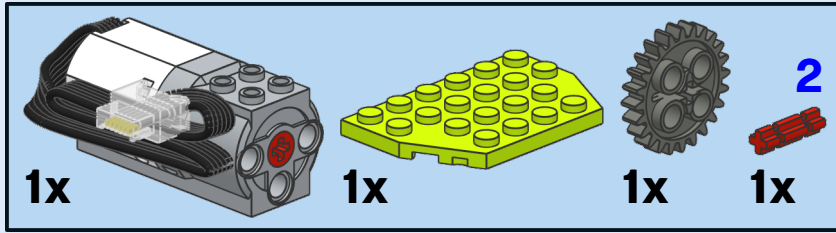
2



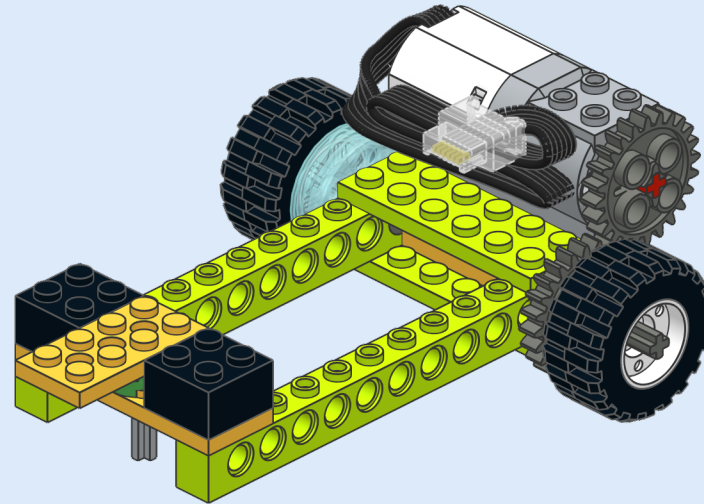
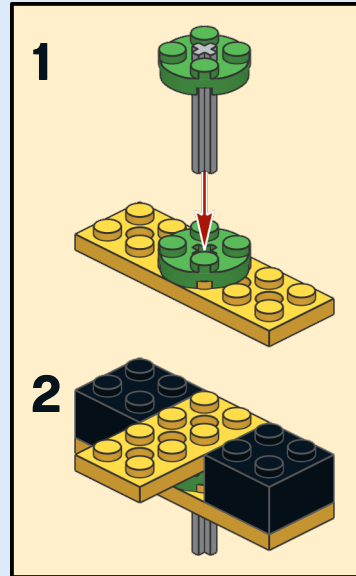
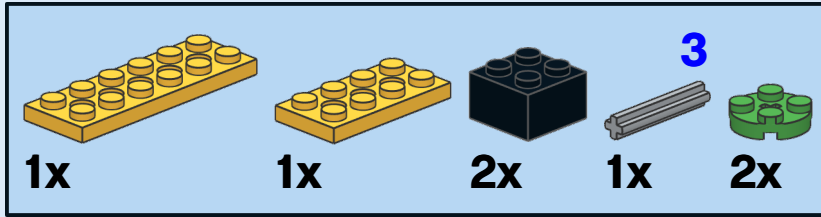
3



4

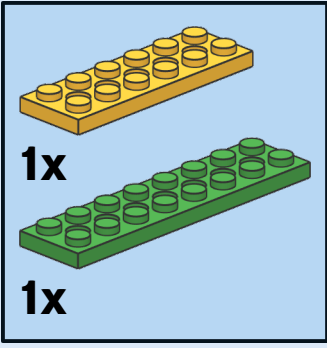


5

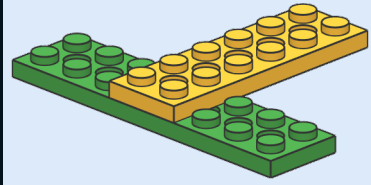


6

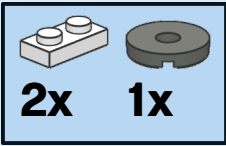
1



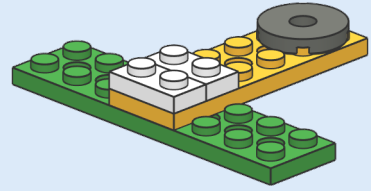
1x
1x



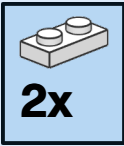
2



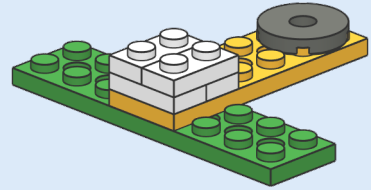
2x 1x



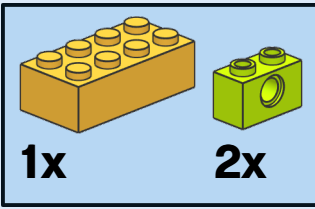
3



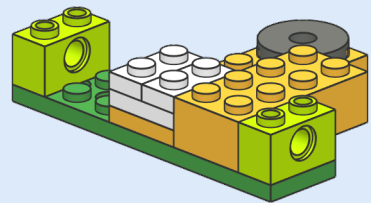
2x




4



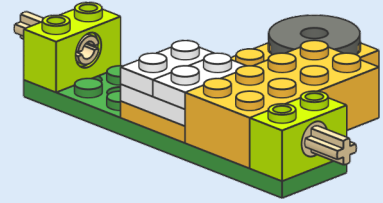
1x 2x



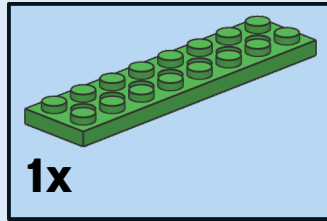
5



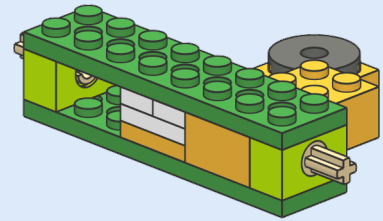
2x



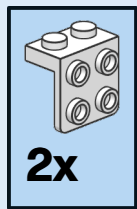
6



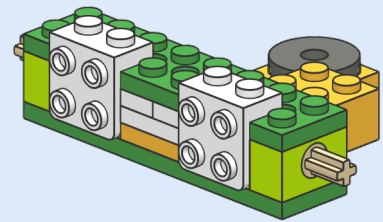
1x



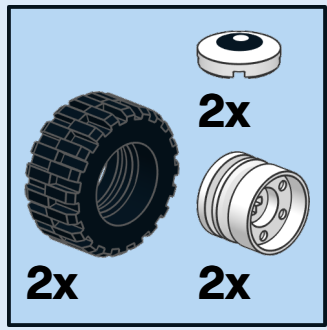
7



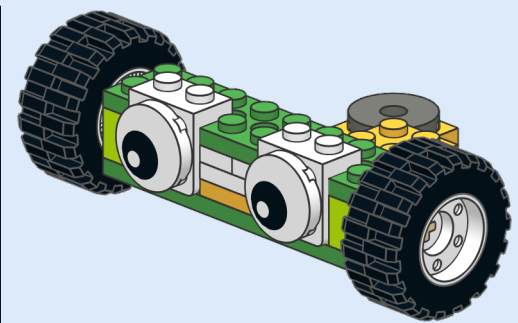
2x



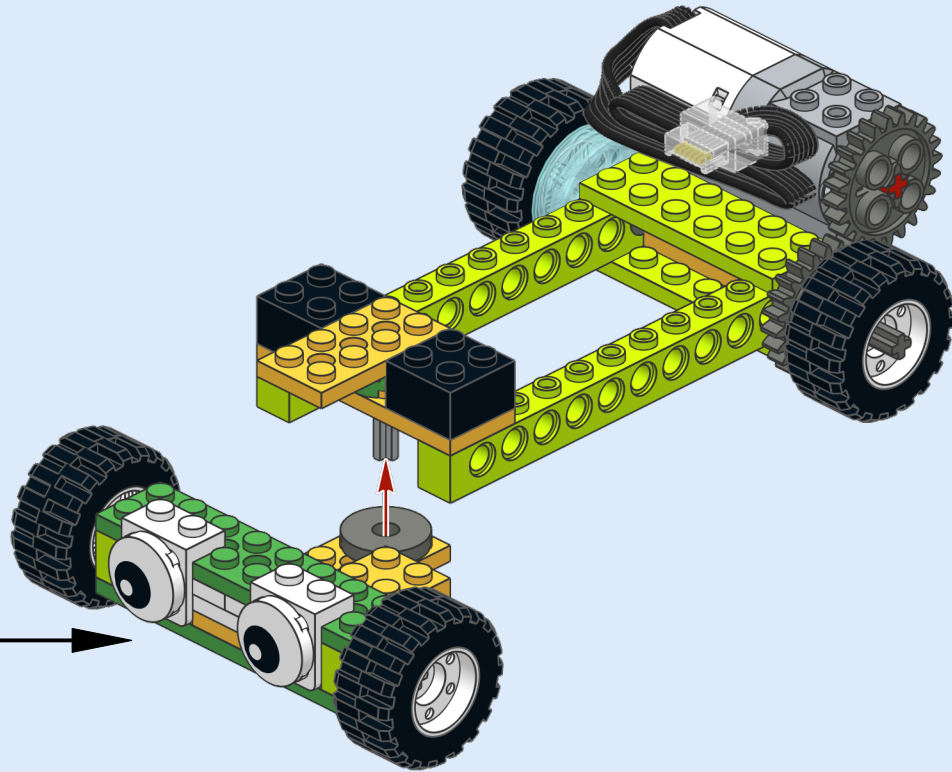
8



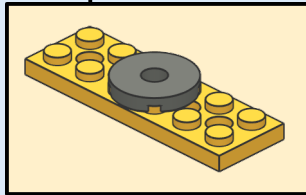
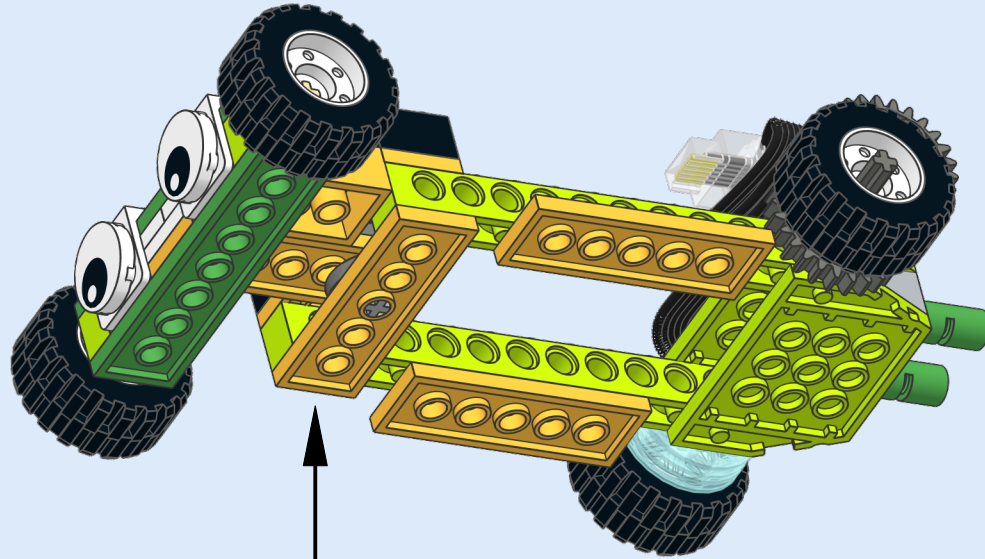
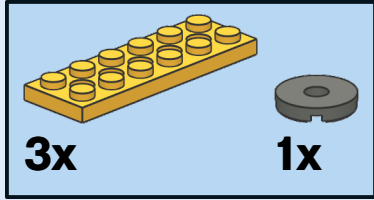
2x 2x
2x 2x



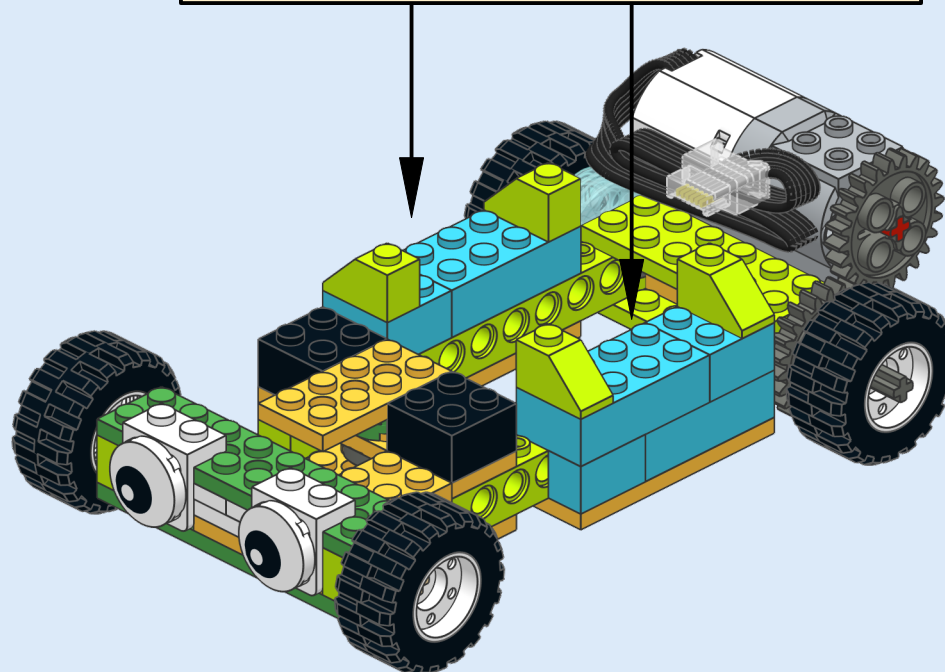
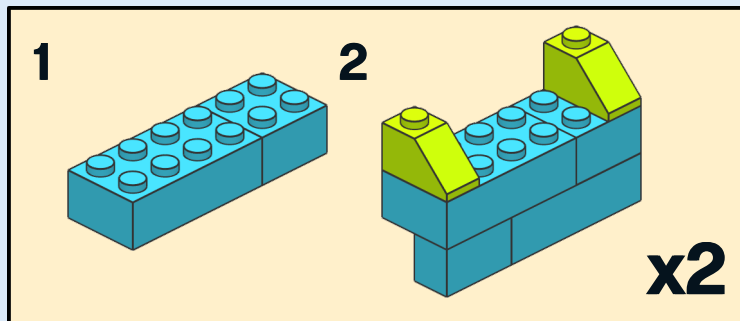
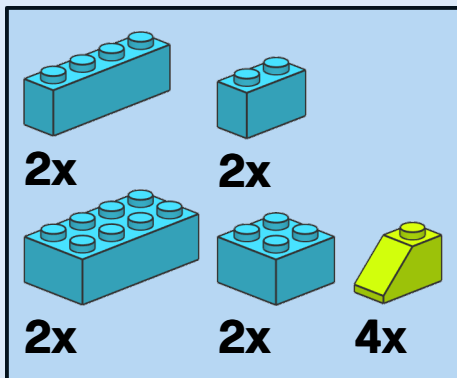
7



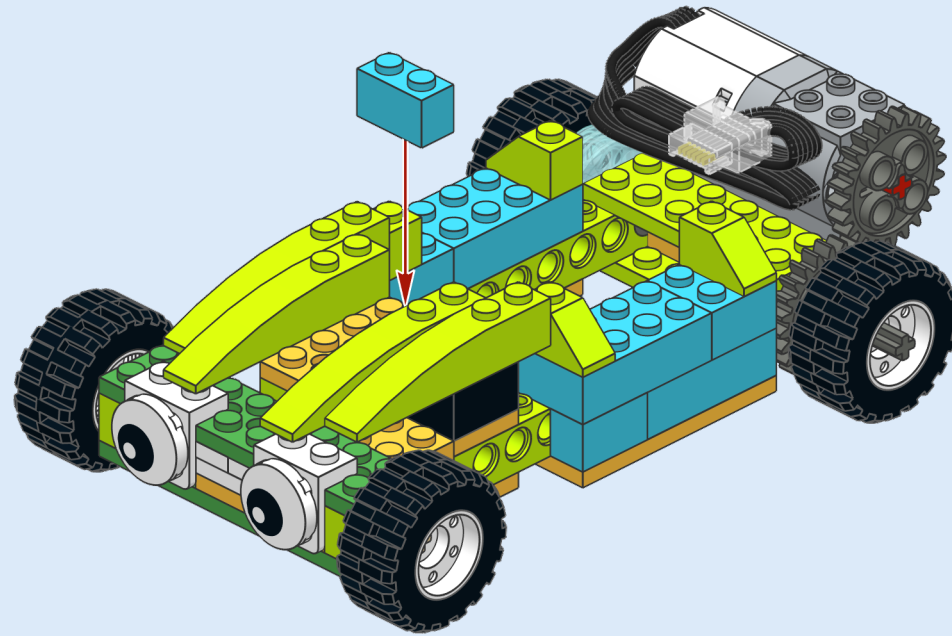
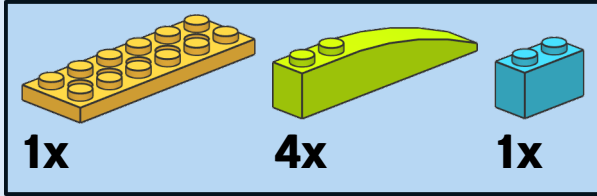
8



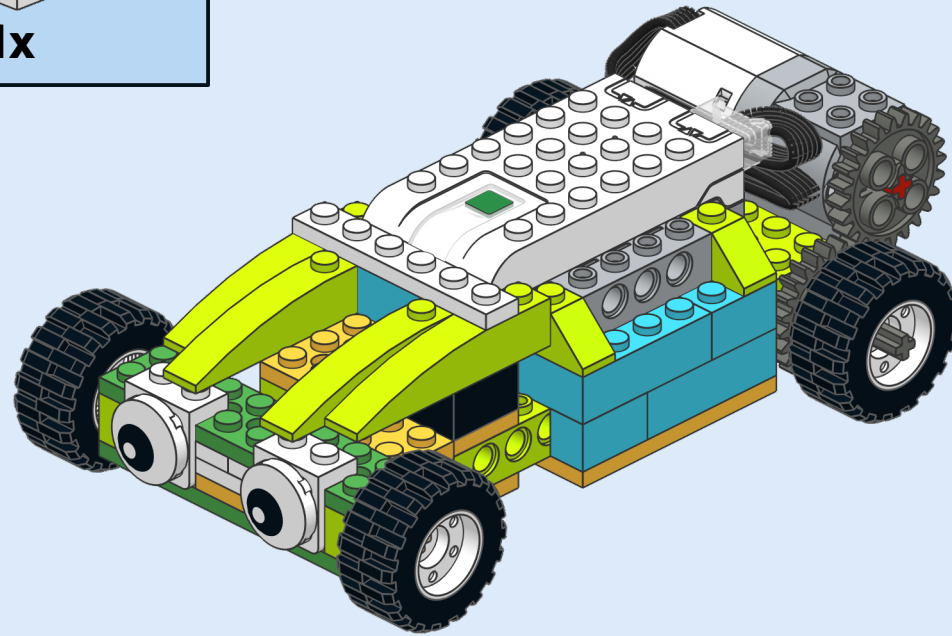
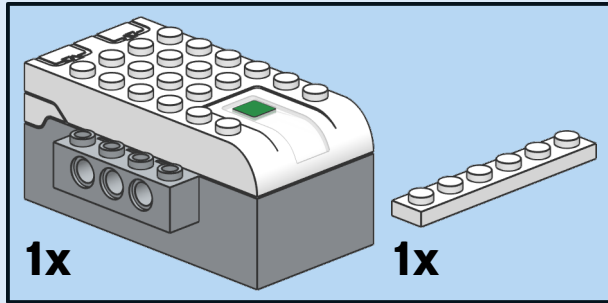
9



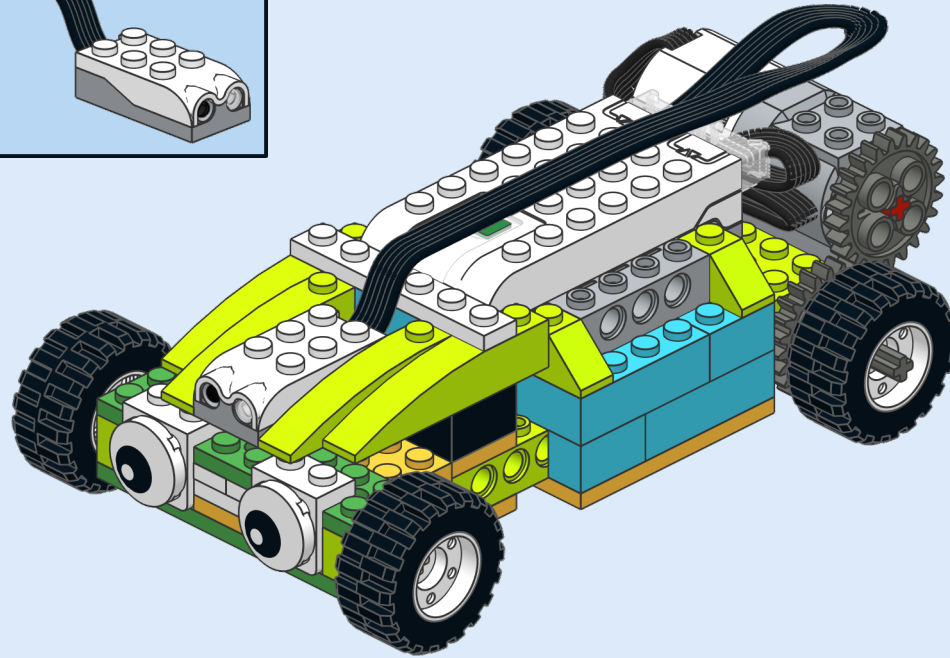
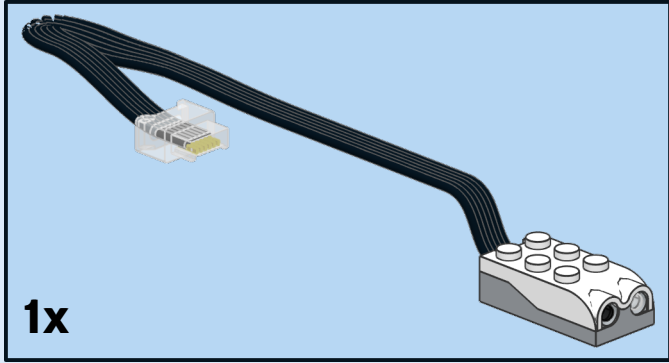
10



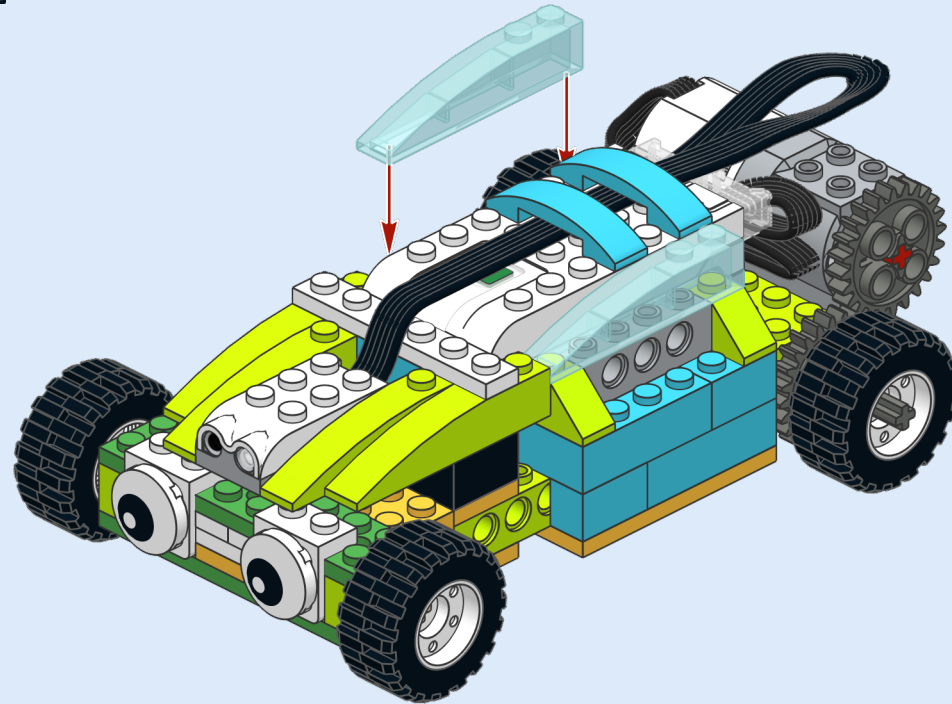
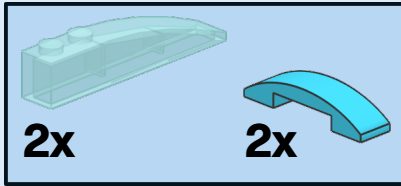
11



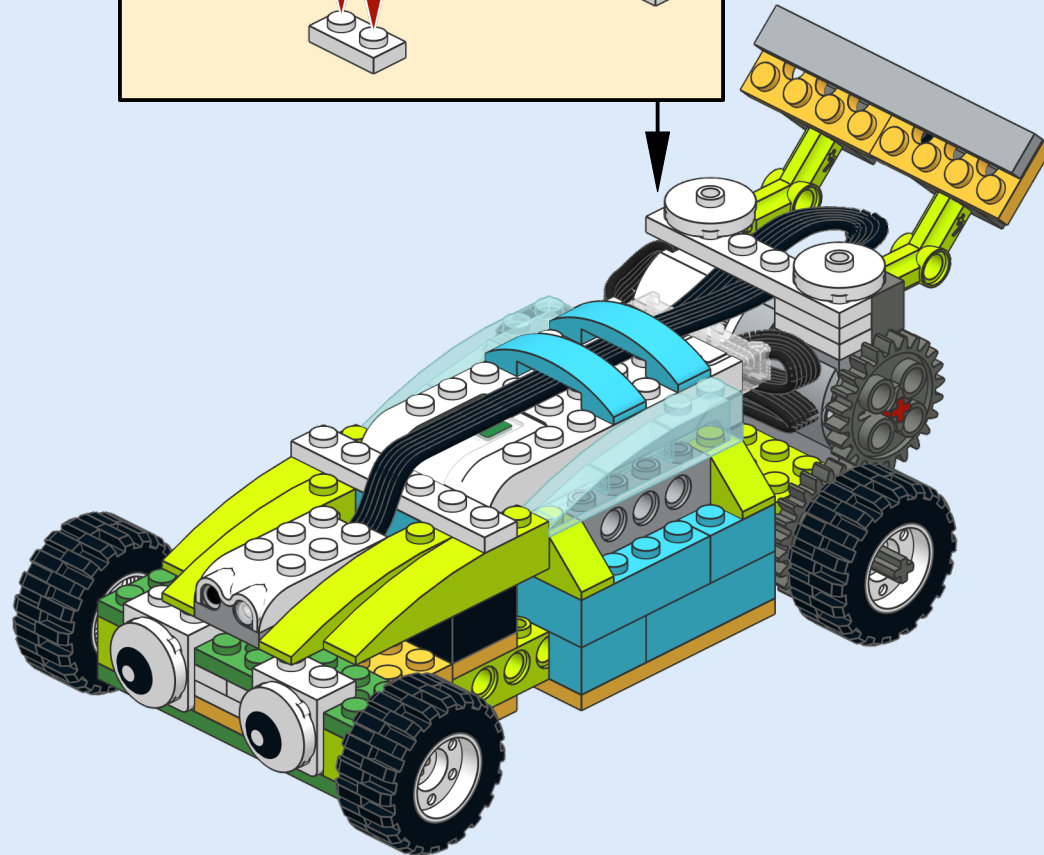
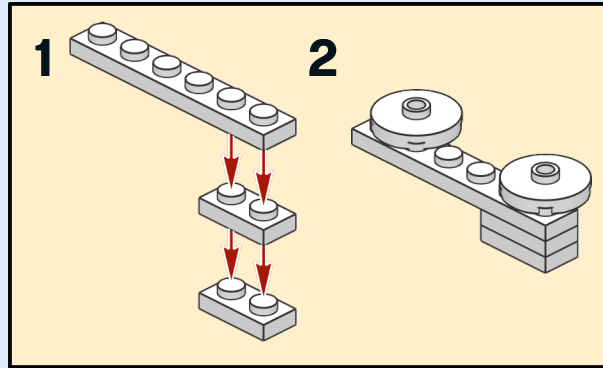
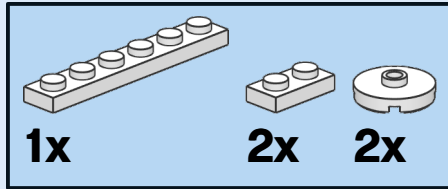
12



13



15



Obstacle avoidance program



Remote control program

